

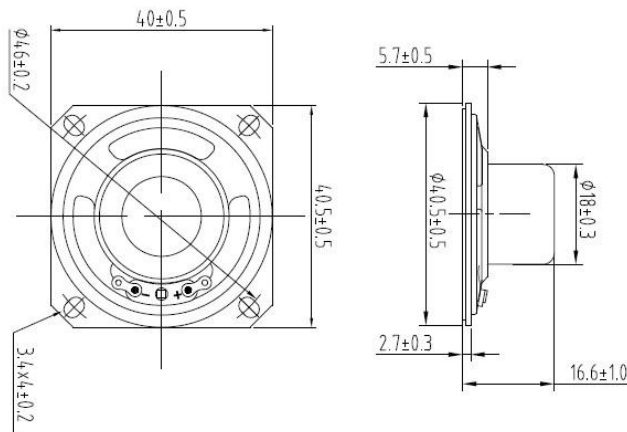
Lautsprecher LSM-40A/SQ Art.-Nr.: 120013

Specification :

TYPE	UNIT	LSM-40A/SQ
Impedance	Ω	8 \pm 15%
Power (Nominal)	W	0.1
Power (Maximum)	W	0.2
Resonant Frequency	Hz	700 \pm 20%
Sound Pressure Level	dB	82 \pm 3
Frequency Range	Hz	Fo~4.500
Operating Temperature	$^{\circ}$ C	-20~+60
Storage Temperature	$^{\circ}$ C	-30~+70

Dimensions :

(Unit : mm)



Frequency Response :

